

SYMBOL	DESCRIPTION
	INTERSTATE HIGHWAY
	U.S. HIGHWAY
	STATE HIGHWAY

STATE VICINITY MAP

INDEX

SHEET	SUB SHEET	TITLE OF SHEET
1	T1	TITLE SHEET
OCOEE		
2	O-PK1	PORTAL KIOSK - PLAN AND ELEVATION
3	O-PK2	PORTAL KIOSK - REINFORCEMENT DETAILS
4	O-PK3	PORTAL KIOSK - CONNECTION DETAILS
5	O-IK1	INFORMATION/ORIENTATION KIOSK
6	O-IK2	INFORMATION/ORIENTATION KIOSK DETAILS
7	O-PE1	PORTAL ENTRY SIGN
8	O-PE2	PORTAL ENTRY SIGN DETAILS
9	O-MJ1	MAJOR SITE ID SIGN
10	O-MJ2	MAJOR SITE ID SIGN DETAILS
11	O-MN1	MINOR SITE ID SIGN AND DETAILS
HIWASSEE		
12	H-PK1	PORTAL KIOSK - PLAN AND ELEVATION
13	H-PK2	PORTAL KIOSK - REINFORCEMENT DETAILS
14	H-PK3	PORTAL KIOSK - CONNECTION DETAILS
15	H-IK1	INFORMATION/ORIENTATION KIOSK
16	H-IK2	INFORMATION/ORIENTATION KIOSK DETAILS
17	H-PE1	PORTAL ENTRY SIGN
18	H-PE2	PORTAL ENTRY SIGN DETAILS
19	H-MJ1	MAJOR SITE ID SIGN
20	H-MJ2	MAJOR SITE ID SIGN DETAILS
21	H-MN1	MINOR SITE ID SIGN AND DETAILS

UNITED STATES
DEPARTMENT OF AGRICULTURE
FOREST SERVICE

CHEROKEE NATIONAL FOREST
OCOEE/HIWASSEE RANGER DISTRICT

OCOEE / HIWASSEE CORRIDOR
KIOSKS AND SIGNS



PROJECT SITE

Sheet: **T1** OF 21

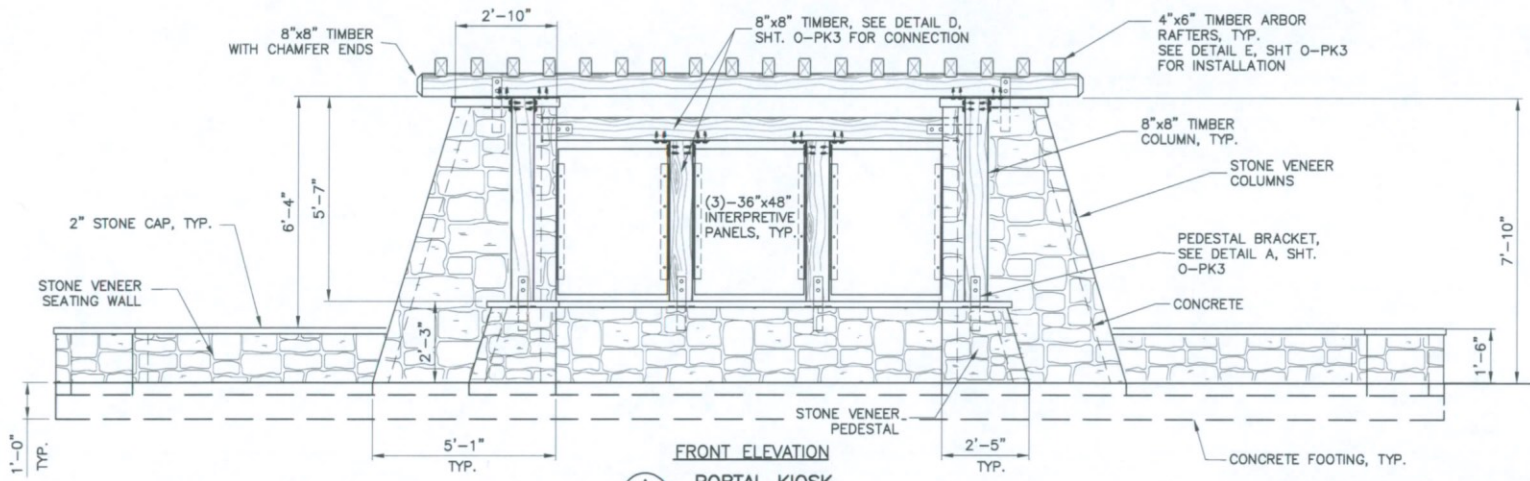
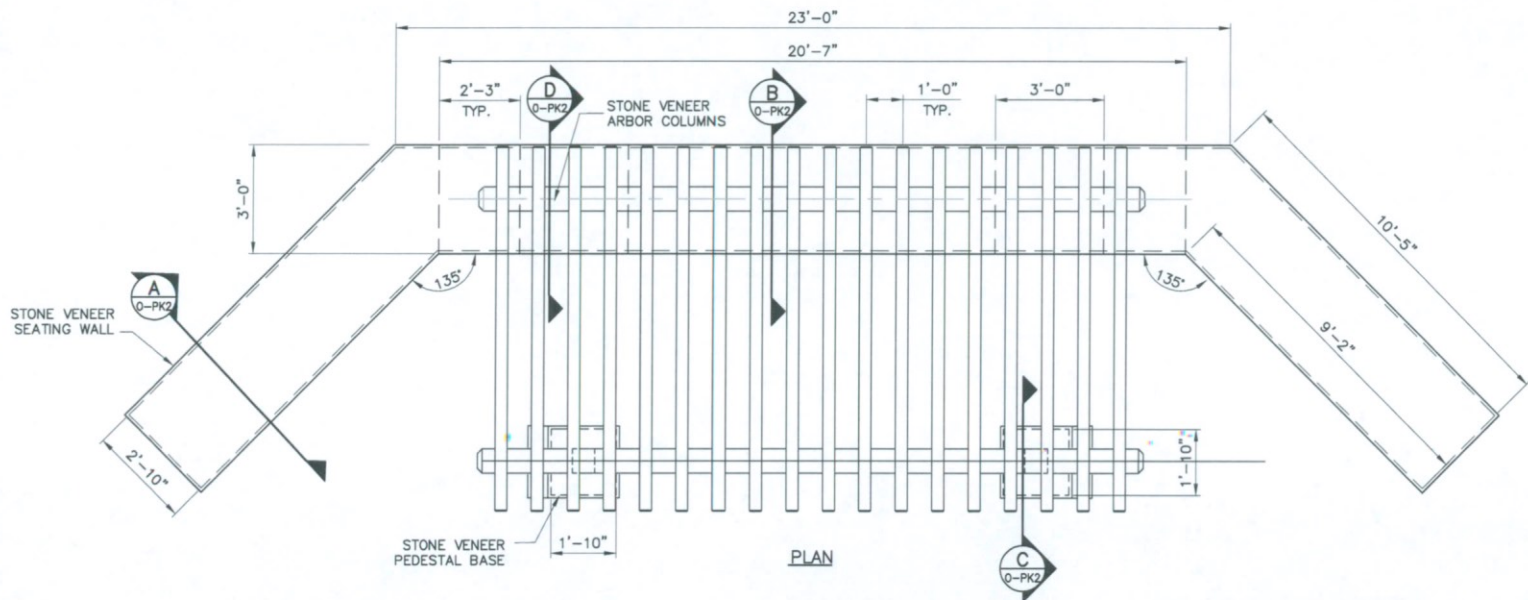
Designed By:	C. SPORL	Date:	9/2006
Drawn By:	J. KEHM	Date:	9/2006
Checked By:	T. WONG	Date:	9/2006
Approved:		Date:	

Project: OCOEE SCENIC RIVER
Sheet Title: TITLE SHEET
Plot Scale: NO SCALE

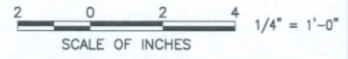


10/10/06 14:37 JRDW 016 K:\INFO\PROJECTS\WES\CHEROKEE\KIOSKS\TITLE-SIG.DWG

7/13/06 14:29 JAH/ML R116 K:\UNCL\PROJECTS\NCS\REGION-5\OCOEE-HMISTED\NCS\HMA001-SEP-30.DWG



PORTAL KIOSK
1/4" = 1'-0"



Project: **OCOEE SCENIC RIVER**

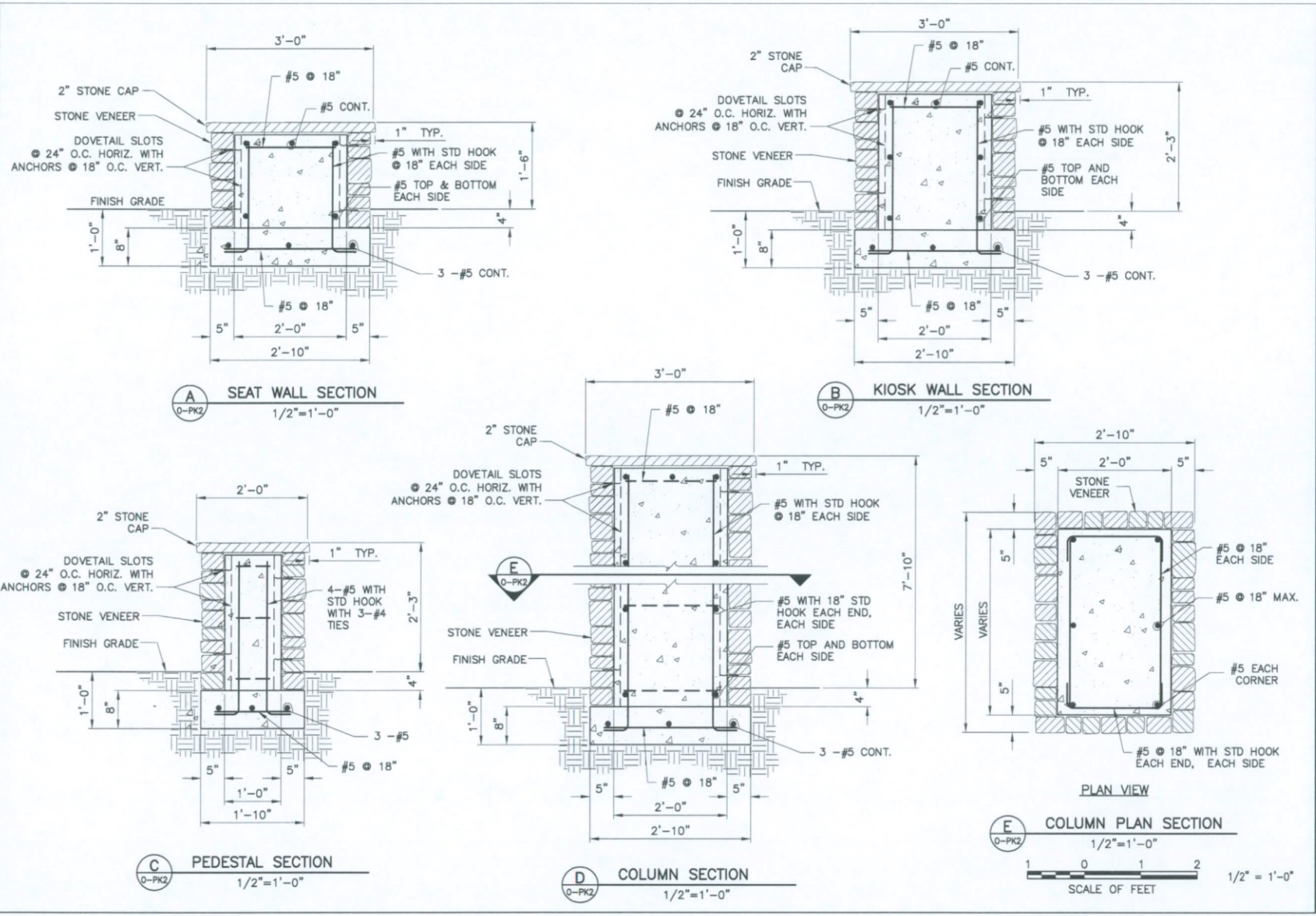
Sheet Title: **PORTAL KIOSK
PLAN AND ELEVATION**

Plot Scale: 1/4" = 1'-0"

Sheet: **0-PK1** OF 21

Designed By:	C. SPORL	Date:	9/2006
Drawn By:	J. KEHM	Date:	9/2006
Checked By:	T. WONG	Date:	9/2006
Approved:		Date:	

7/1/06 14:39 JAHM R18 KUMU\P01\CTS\WCT\REGION-0\0000-HH\SS\01\W05\W05E-00R-01.DWG

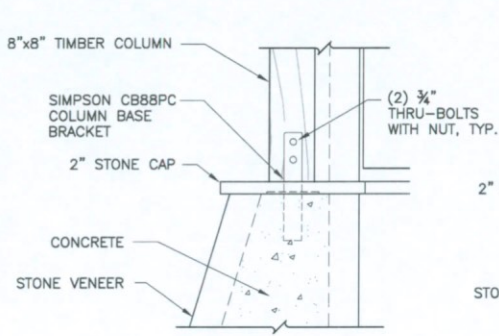


Sheet: **0-PK2** OF 21

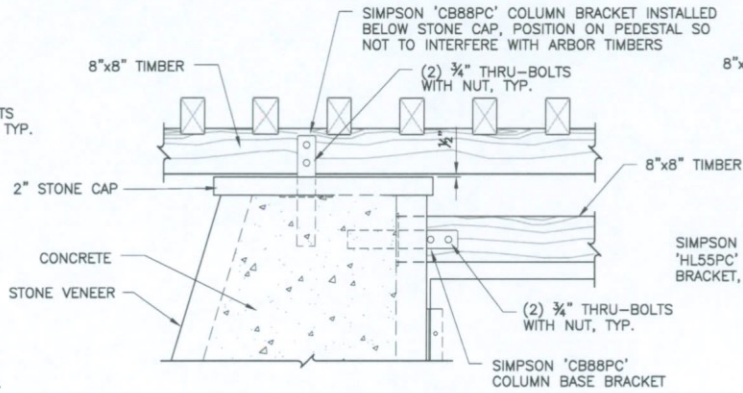
Designed By: C. SPORL
 Drawn By: J. KEHM
 Checked By: T. WONG
 Date: 9/2006
 Date: 9/2006
 Date: 9/2006
 Date: _____
 Date: _____

Project: **OCOEE SCENIC RIVER**
 Sheet Title: **PORTAL KIOSK REINFORCEMENT DETAILS**
 Plot Scale: 1/2" = 1'-0"

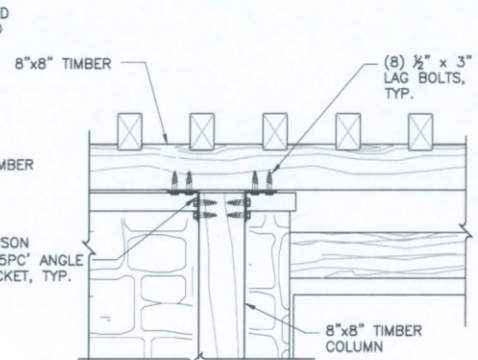




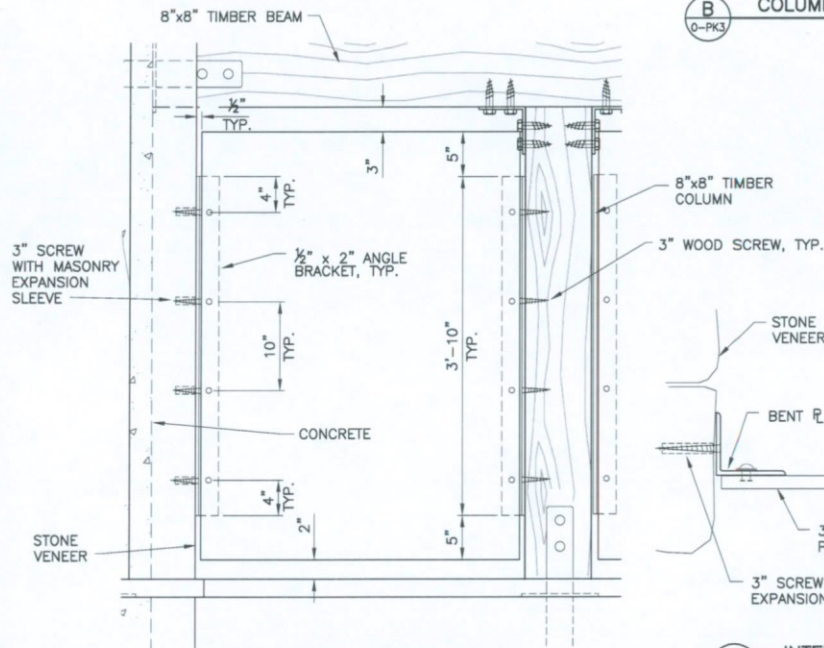
A PEDESTAL BRACKET DETAIL
0-PK3 1/2"=1'-0"



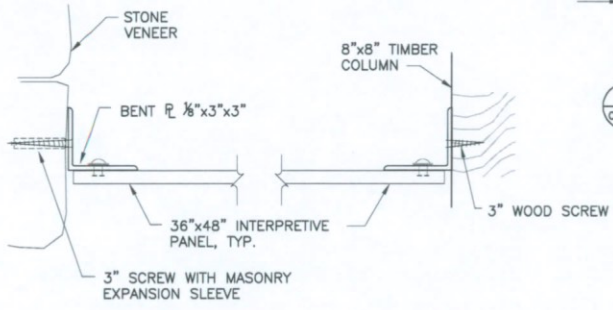
B COLUMN BRACKET DETAIL
0-PK3 1/2"=1'-0"



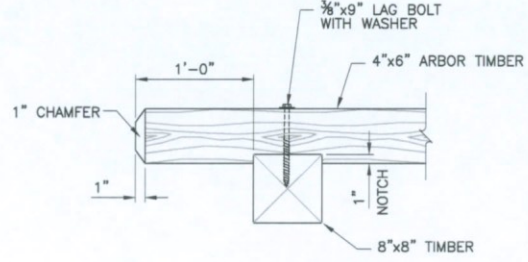
C COLUMN/BEAM CONNECTION
0-PK3 1/2"=1'-0"



D PEDESTAL BRACKET DETAIL
0-PK3 NO SCALE



E INTERPRETIVE PANEL MOUNTING DETAIL
0-PK3 NO SCALE



F ARBOR TIMBER INSTALLATION
0-PK3 NO SCALE



7/13/06 14:29 AEDW RTR K:\WORK\PROJECTS\MEXICO\06-OCOEE-HANISSETT\WORKSHEET-2006-201.DWG

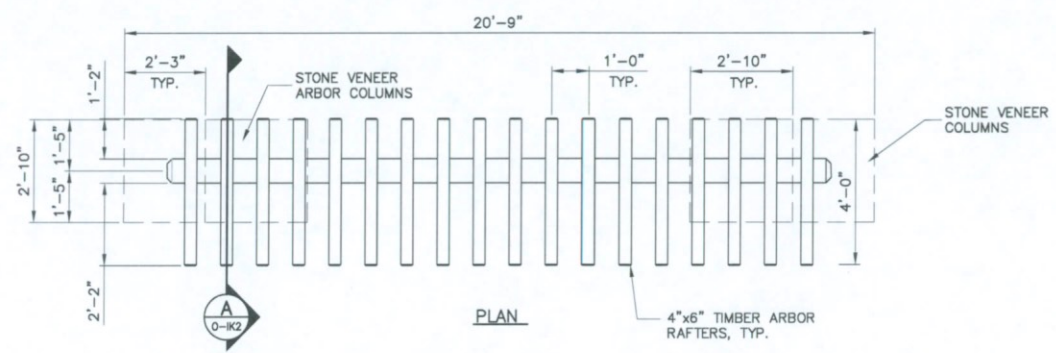
Sheet: **0-PK3** OF 21

Designed By: C. SPORL Date: 9/2006
 Drawn By: J. KEHM Date: 9/2006
 Checked By: T. WONG Date: 9/2006
 Approved: _____ Date: _____

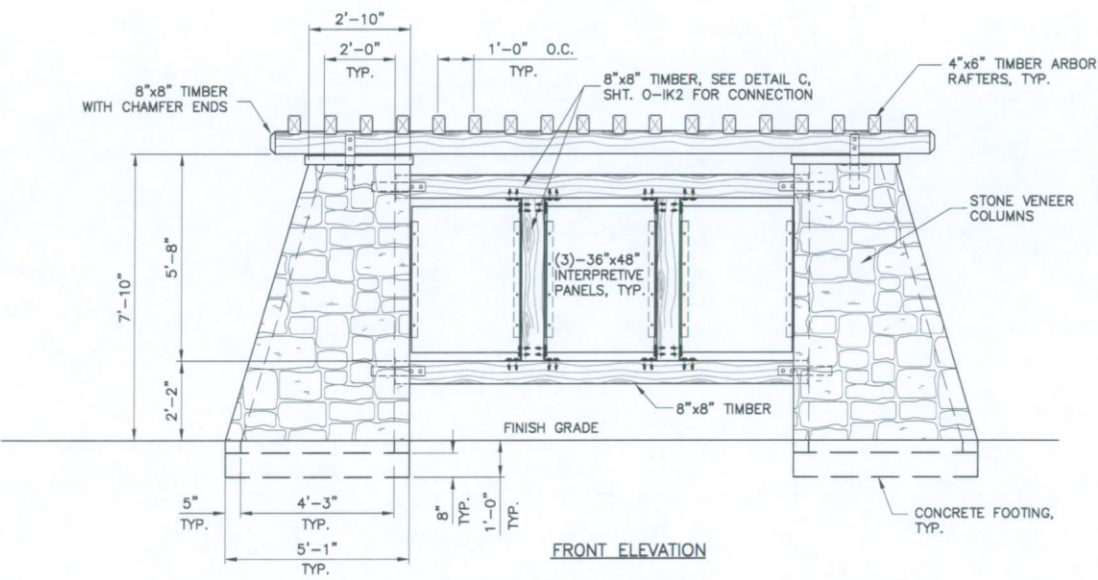
Project: OCOEE SCENIC RIVER
 Sheet Title: PORTAL KIOSK CONNECTION DETAILS
 Plot Scale: 1/2"=1'-0"



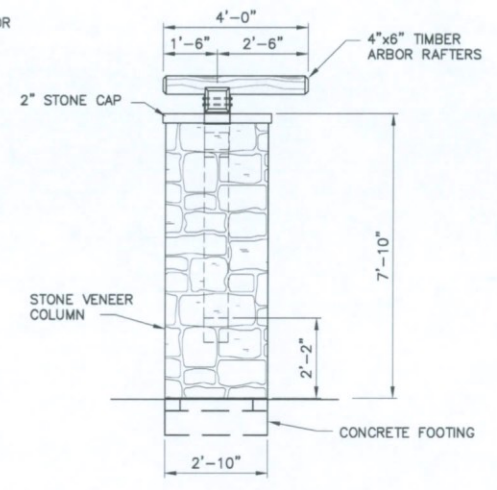
7/13/06 14:25 A004 416 K:\WORK\PROJECTS\MISC\BOSON-OCOEE-HIKOSI\UNITS\UNITS-004-SH1.DWG



PLAN

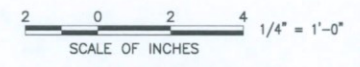


FRONT ELEVATION



SIDE ELEVATION

A
O-IK1
INFORMATION/ORIENTATION KIOSK
1/4" = 1'-0"



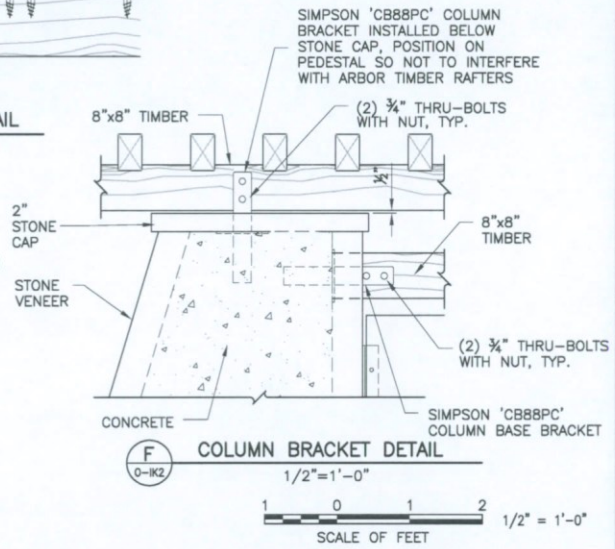
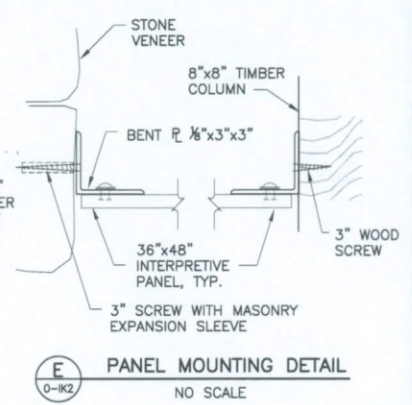
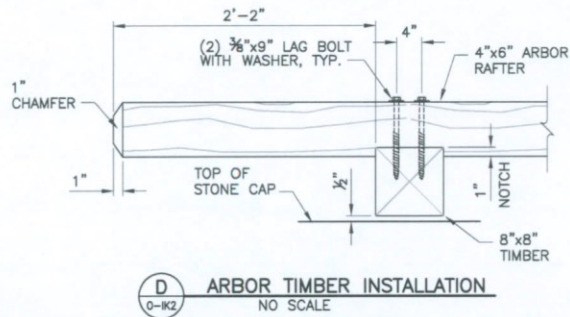
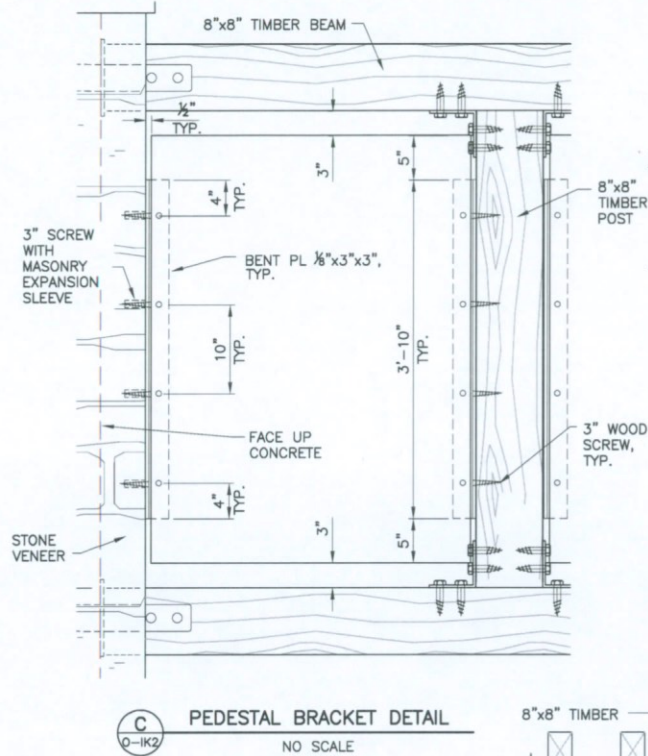
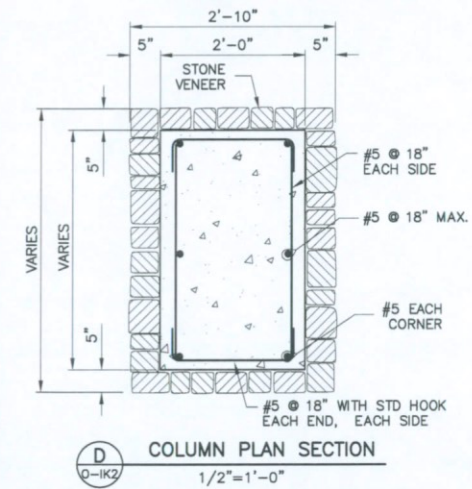
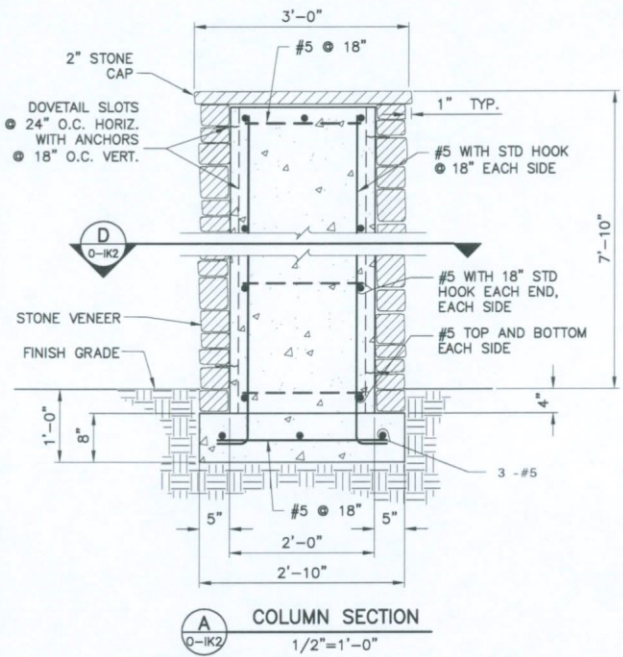
Sheet: **0-IK1**
OF 21

Designed By: C. SPQRIL
Date: 9/2006
Drawn By: J. KEHM
Date: 9/2006
Checked By: T. WONG
Date: 9/2006
Approved: _____
Date: _____

Project: OCOEE SCENIC RIVER
Sheet Title: INFORMATION/ORIENTATION KIOSK AND DETAILS
Plot Scale: 1/4" = 1'-0"



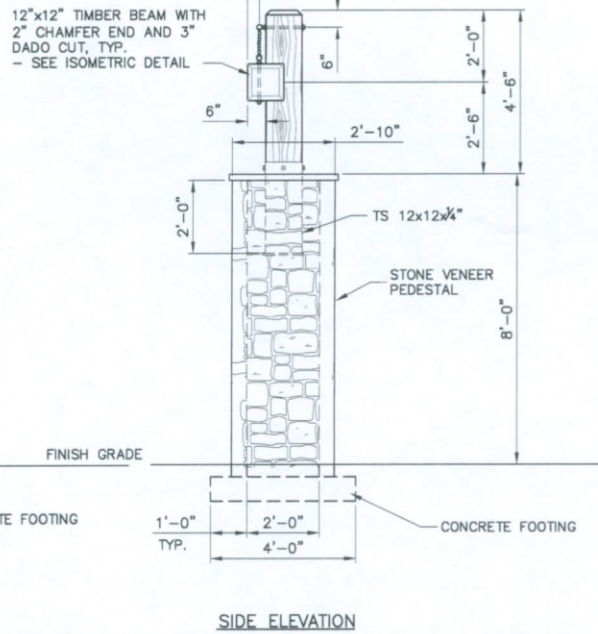
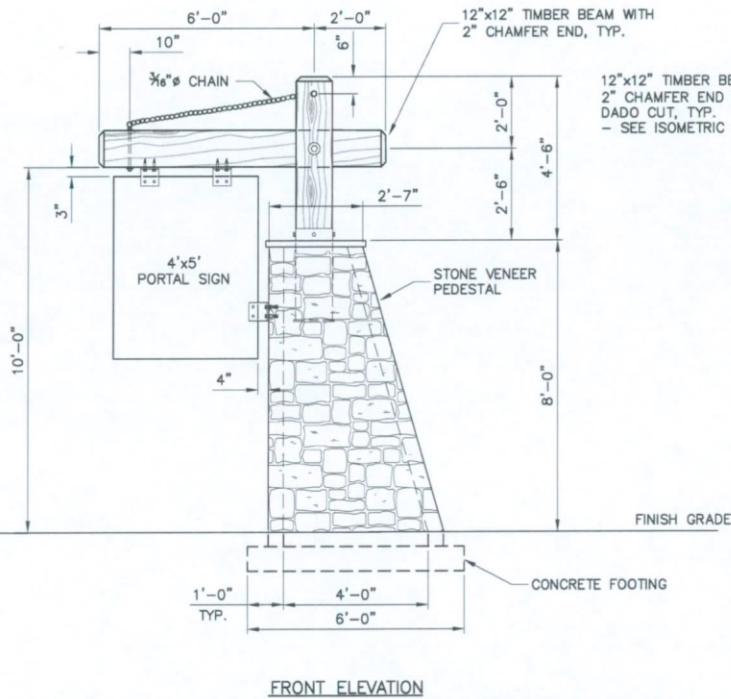
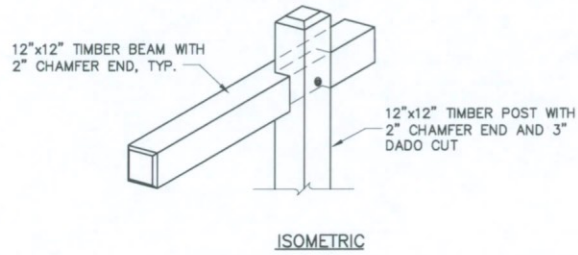
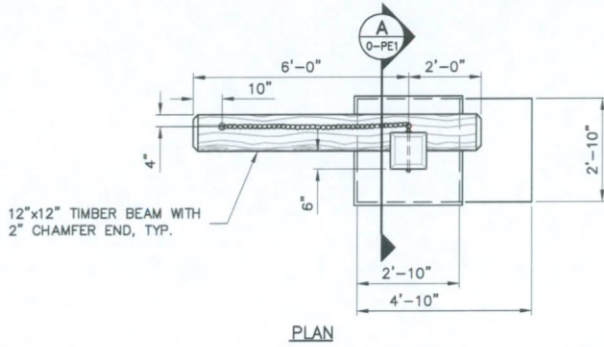
7/17/06 14:29 ADMIN R18 K:\LAND\PROJECTS\MK2\BEGON-0000E-HANISSET\UNITS\VENUEE-BOR-SITING



Designed By:	9/2006	Date
C. SPORIL	9/2006	Date
Drawn By:	9/2006	Date
J. KEHM	9/2006	Date
Checked By:	9/2006	Date
T. WONG	9/2006	Date
Approval:		Date



7/11/06 14:29 JAHM R18 KUMU\PROJECTS\MISC\REGION-8\OCOE-HINOSTEL\WMS\WMSLE-80R-SI.DWG



A PORTAL ENTRY SIGN
1/4" = 1'-0"



Sheet: **0-PE1** OF 21

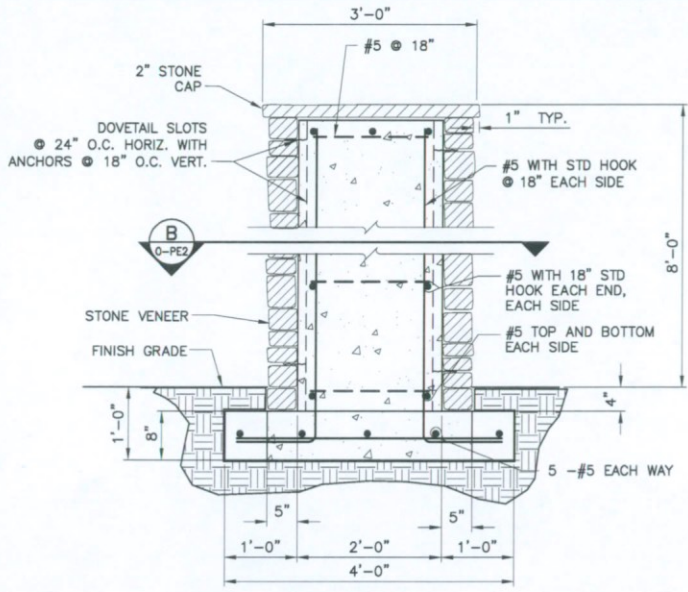
Designed By:	C. SPORL	Date:	9/2006
Drawn By:	J. KEHM	Date:	9/2006
Checked By:	T. WONG	Date:	9/2006
Approval:		Date:	

Project: OCOEE SCENIC RIVER

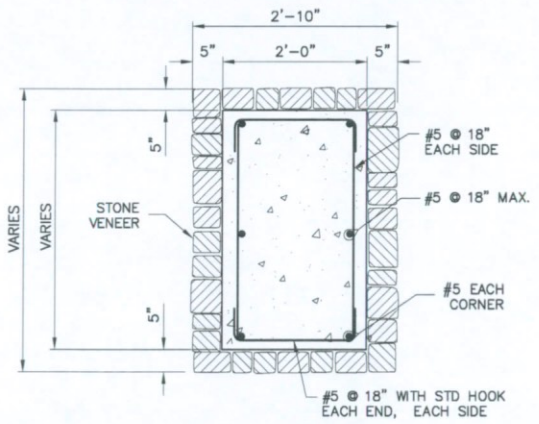
Sheet Title: PORTAL ENTRY SIGN

Plot Scale: 1/4" = 1'-0"

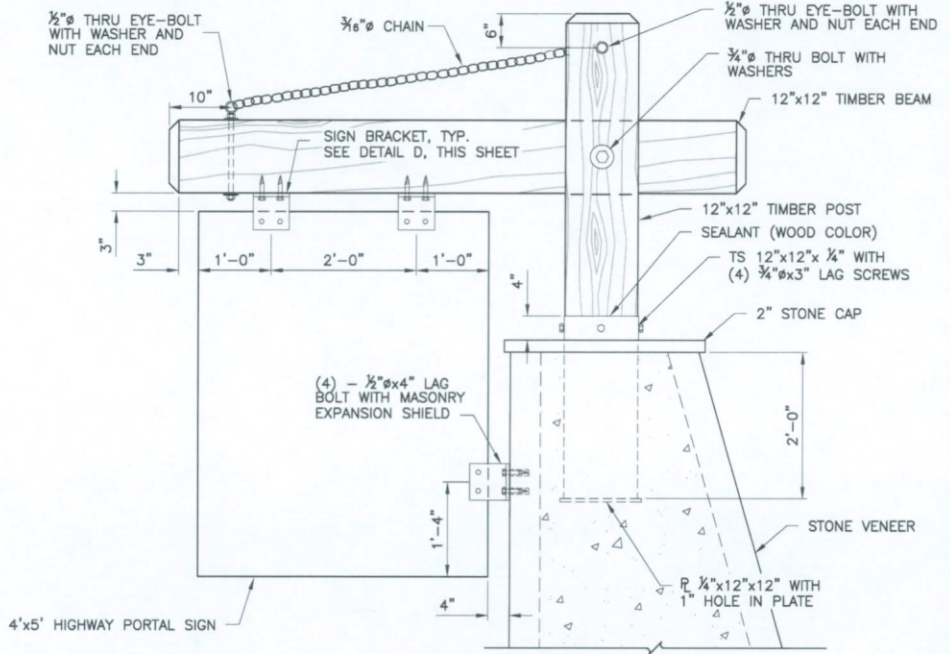




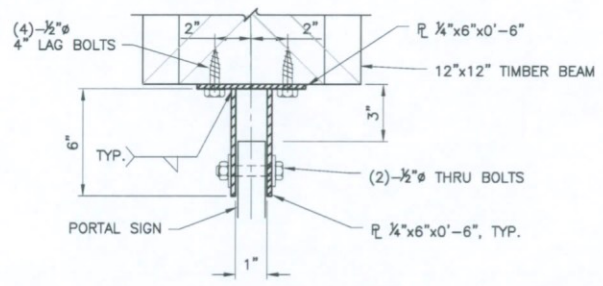
(A) COLUMN SECTION
1/2" = 1'-0"



(B) COLUMN PLAN SECTION
1/2" = 1'-0"



(C) PORTAL ENTRY DETAIL
1/2" = 1'-0"



(D) PORTAL SIGN BRACKET
NO SCALE



7/13/06 14:29 A00M R18 KLINGSTUBBINS\PROJECTS\06000-OCOEE-HWASSSET\DWG\06000-PEZ-DWG

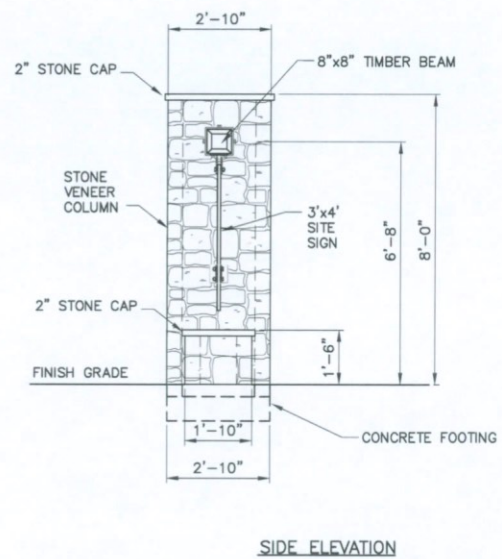
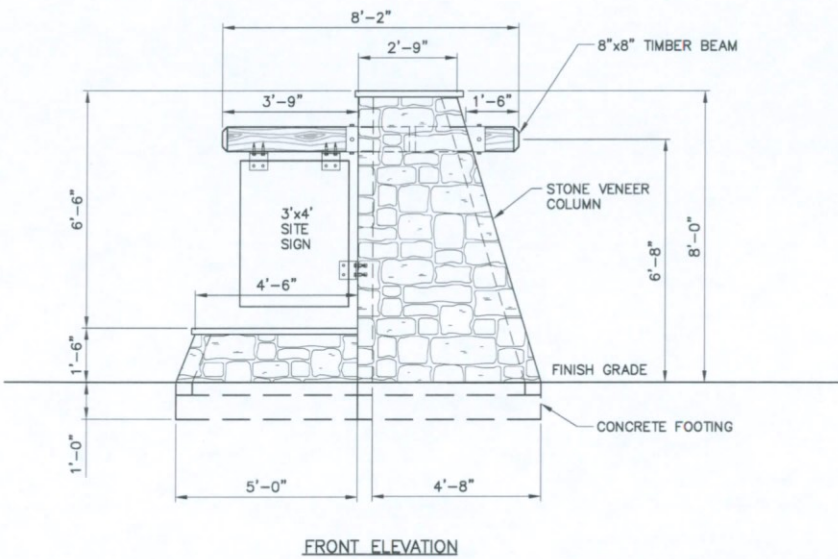
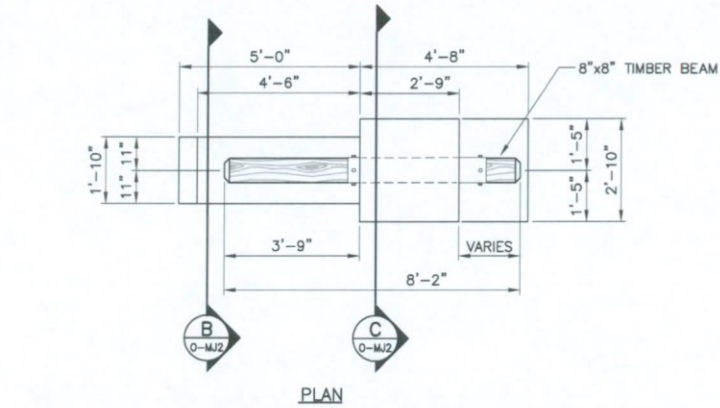
Sheet: **0-PE2** OF 21

Designed By: C. SPORL
Date: 9/2006
Drawn By: J. KEHM
Date: 9/2006
Checked By: T. WONG
Date: 9/2006
Approval: _____
Date: _____

Project: **OCOEE SCENIC RIVER**
Sheet Title: **PORTAL ENTRY SIGN**
Plot Scale: **1/4" = 1'-0"**



7/13/06 14:29 A0106 R18 C:\DWG\PROJECTS\MISC\BEGON-0\OCOEE-HINNSSET\MISC\HINNSSET-001.DWG



A
0-MJ1
MAJOR SITE I.D. SIGN
1/4" = 1'-0"

2 0 2 4
SCALE OF FEET
1/4" = 1'-0"

Project: OCOEE SCENIC RIVER

Sheet Title: MAJOR SITE I.D. SIGN AND DETAILS

Plot Scale: 1/4" = 1'-0"

Designed By: C. SPORL
Date: 9/2006

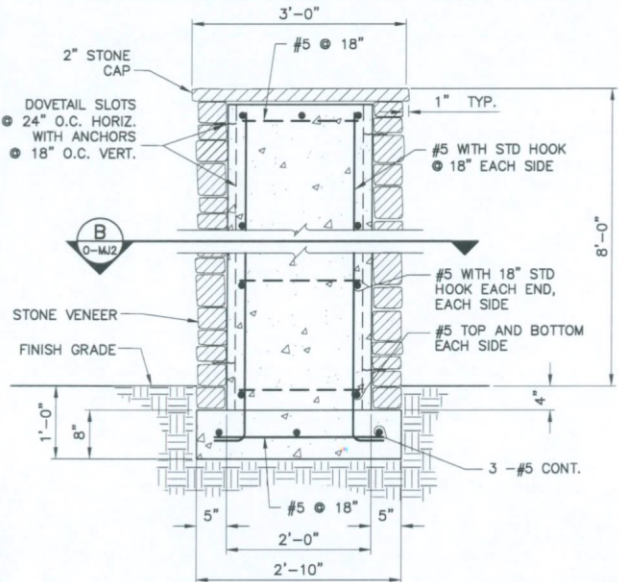
Drawn By: J. KEHM
Date: 9/2006

Checked By: T. WONG
Date: 9/2006

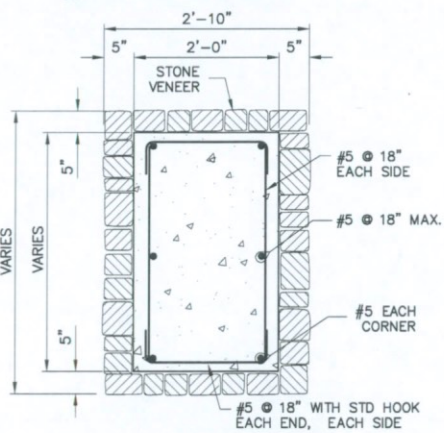
Approval: _____
Date: _____

Sheet: **0-MJ1**
OF 21

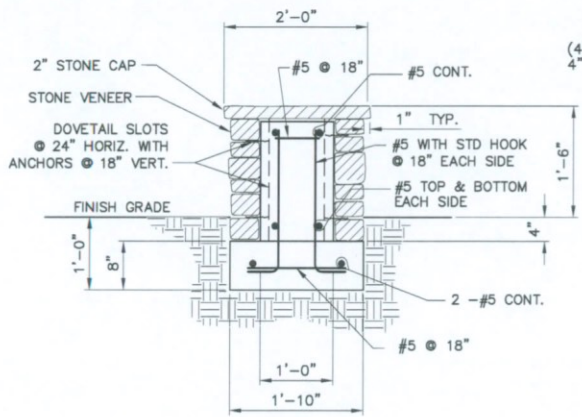
7/13/06 14:29 AEDM R14 C:\LAND\PROJECTS\MCCOY\DESIGN-00000-HUNTSVILLE\WORKSET-00000-DWG



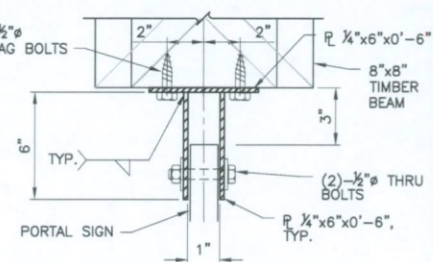
A COLUMN SECTION
1/2" = 1'-0"



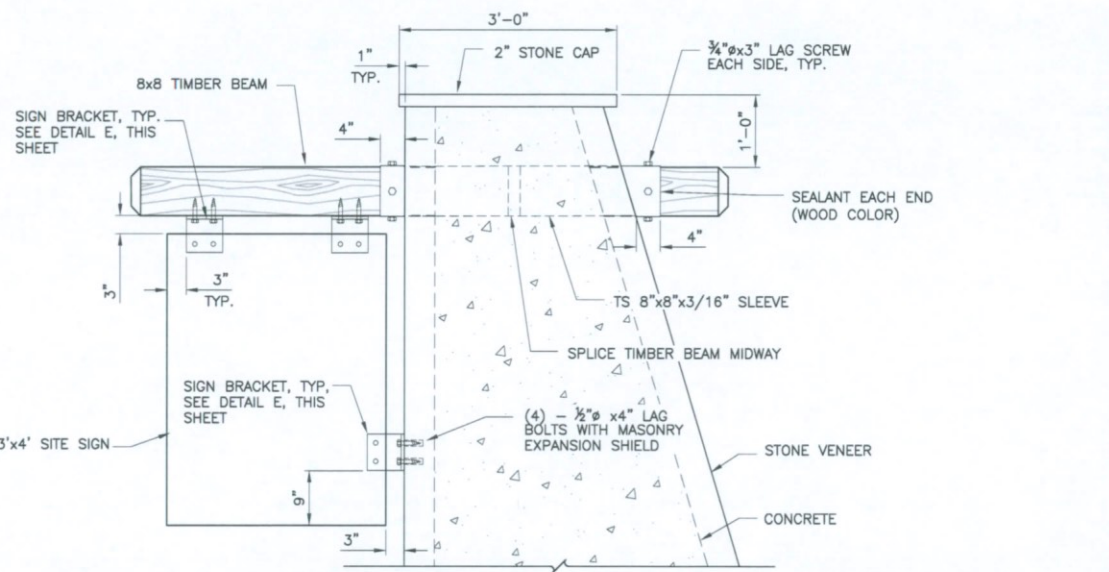
B COLUMN PLAN SECTION
1/2" = 1'-0"



C SECTION
1/2" = 1'-0"



E SITE SIGN BRACKET
NO SCALE



D COLUMN PLAN SECTION
1/4" = 1'-0"



Sheet: **0-MJ2** OF 21

Designed By: C. SPORL
Drawn By: J. KEHM
Checked By: T. WONG
Approval: _____
Date: 9/2006
Date: 9/2006
Date: 9/2006
Date: _____

Project: **OCOEE SCENIC RIVER**
Sheet Title: **MAJOR SITE I.D. SIGN DETAILS**
Plot Scale: 1/2" = 1'-0"



